

Figure 11: Interface position with $\rho = 0.1$ (2)

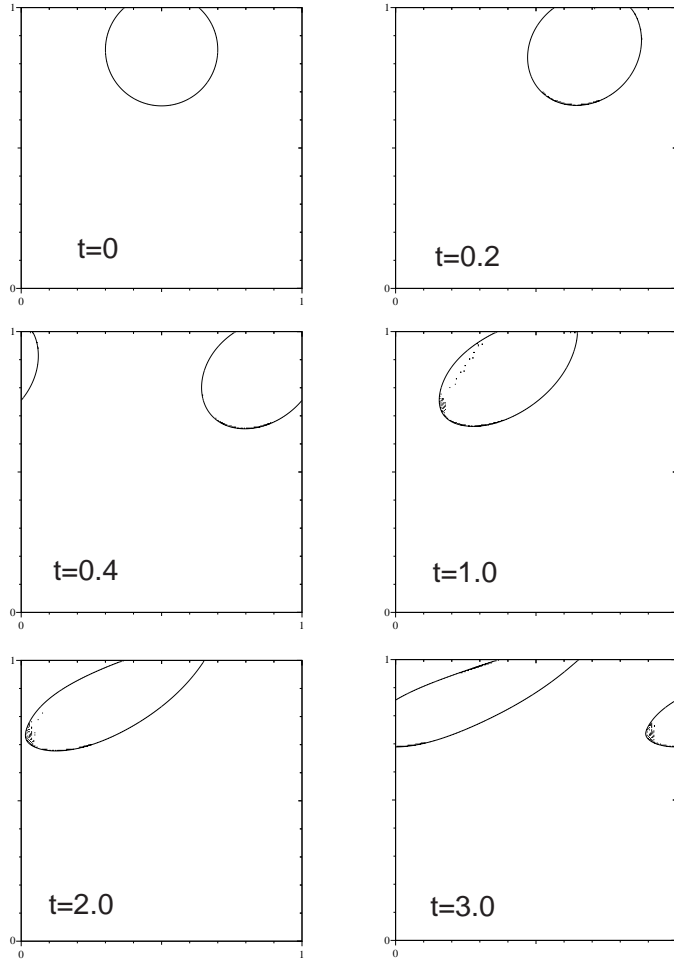


Figure 12: Drop stretched by shear

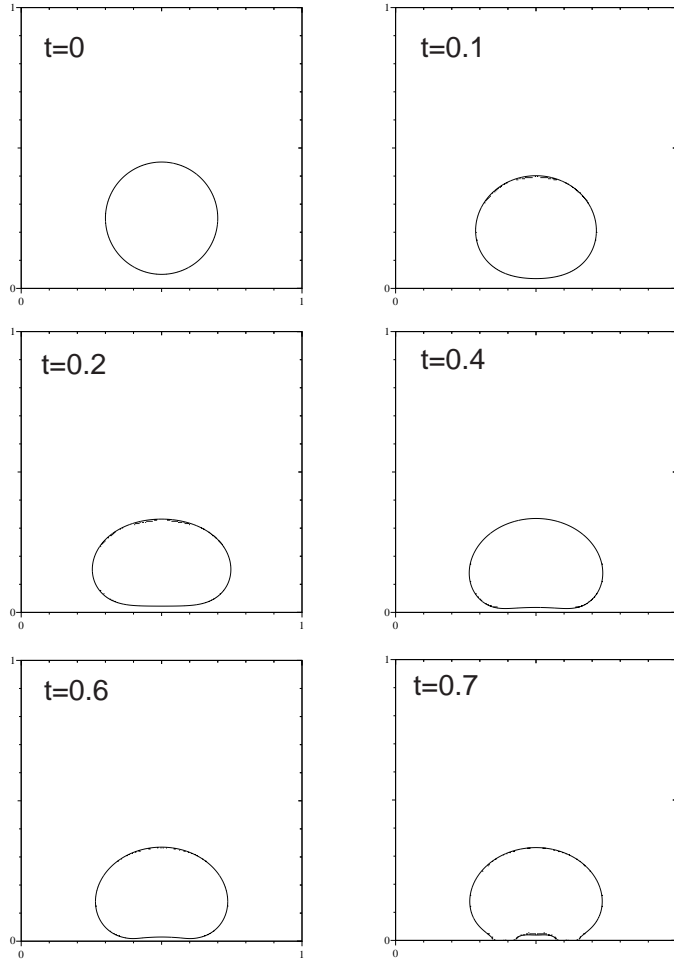


Figure 13: Falling drop, 256×256 mesh

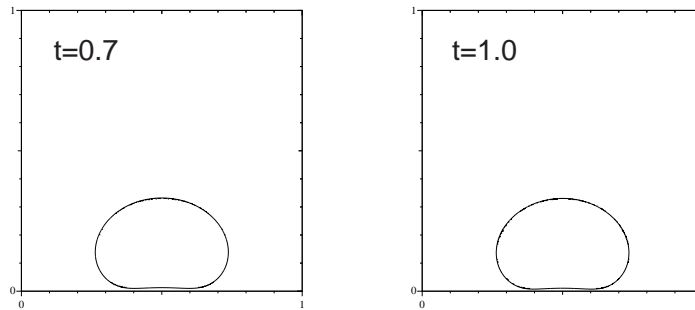


Figure 14: Falling drop, 512×512 mesh

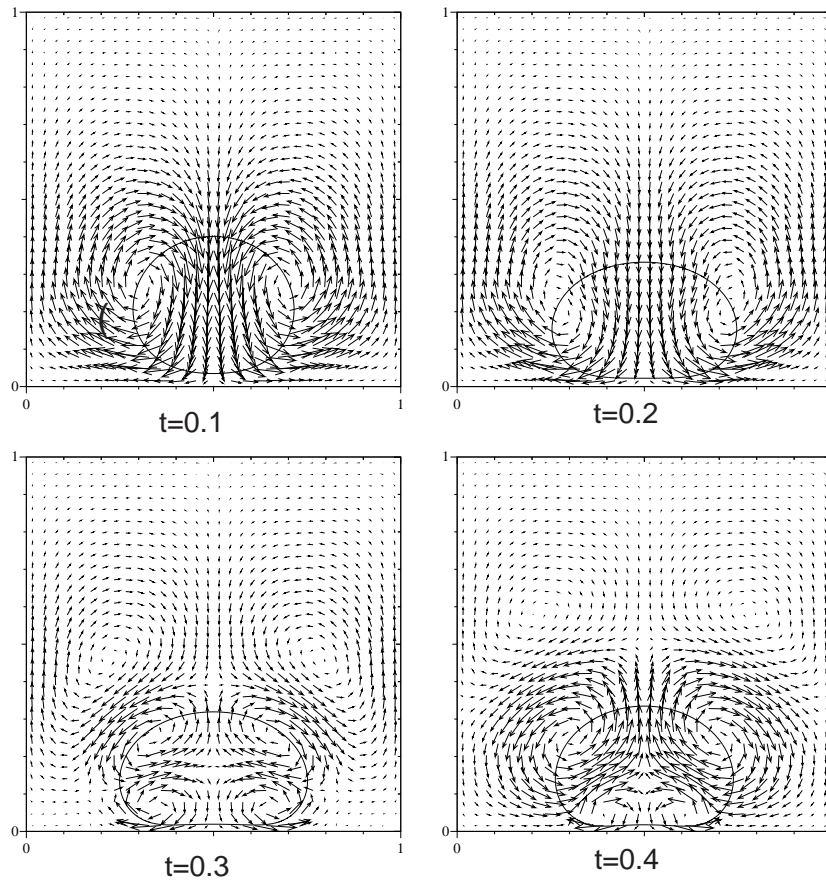


Figure 15: Velocity field for falling drop